

Technical Information – General

Handing of Handles

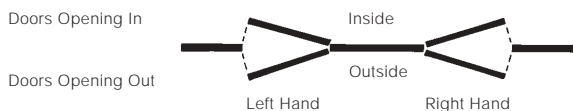
Pairs of Handles - Back to back

1. To determine handing, select the side of the door which is the 'outside' or the most commonly viewed side. The handle on this side of the door is the concealed fixed handle.
2. If the handle is on the right, it is a RIGHT HAND pair of door handles, if on the left, it is a LEFT HAND pair of door handles.

Note: Applies to doors that open IN or OUT

Single Handle

If the handle is on the right, it is a RIGHT HAND handle, on the left, it is a LEFT HAND handle.



Ordering

All hardware must be ordered as described in the respective sections. This will assist in providing hardware that can be installed, and function as required. Order sheets are available to assist with formulating the correct specification. Fax or email your request for copies.

Materials

All door hardware is made from bronze or brass as the base metal. Handles and components are cast, forged, or machined from solid bar.

Cabinet Handles

All cabinet handles are fastened with M4 Screws. Standard length supplied is 25mm. Other lengths available to order, please specify.

Fire Doors

Lever handles Bow 511, Sabre 531, Arc 551, Luna 571, Cobra 610 and 611, Delta 631, and all pull handles in these ranges have been examined for use with Pyropanel Fire Doorsets in accordance with Section 4.2.6(iii) of AS/NZS 1905.1 and found satisfactory. Refer to our Technical Division for further assistance.

Product Finishes

| | |
|---------------------------|------|
| Polished bronze | PBZ |
| Satin bronze aged | SBZA |
| Polished chrome plate | PCP |
| Satin chrome plate | SCP |
| Copper Plate | COP |
| Gold Plate | GP |
| Satin Nickel Plate | SNP |
| Polished Brass - Uncoated | PBU |

Note: Bronze hardware. This is produced for where there is a requirement for a genuine bronze metal product.

Polished Bronze

This will age naturally and develop its own patina over time depending on the prevailing climatic conditions. The ultimate finish will be a rich semi gloss bronze patina surface. The product can also be maintained as a polished surface with standard proprietary metal polish cleaners.

Satin Bronze Aged

The surface is satin finished and aged with an oxidiser to provide a dark matt bronze surface. The colour of this finish will, over time, adjust to its own natural satin patina depending on the prevailing climatic conditions and wear patterns with use.

Copper Plate

This is a thick copper layer plated onto the base metal, polished, left uncoated, and will develop its own patina over time depending on the prevailing climatic conditions and wear patterns with use.

Polished Brass Uncoated

Will need polishing with proprietary metal cleaners to maintain the surface.

PVD (Physical Vapour Deposition)

Products can be coated with this process – information available on request.

Product Guarantee

Chant Productions Limited provides a standard 5 year guarantee, to the original end user, subject to certain limitations, against defects in workmanship and materials.

chant productions limited

chant[™]
in touch

8/136 marua rd, ellerslie
auckland, new zealand
tel: + 64 9 526 4048
fax: + 64 9 526 4049
email: sales@chantproductions.co.nz
internet: www.chantproductions.co.nz

issue 02/04

©chant productions ltd, 2004

Plate Types

The 32mm and 38mm wide plates in the following ranges have been designed primarily for use on glazed, aluminium and wooden doors where there is space for narrow back set mortice locks only. The design can be used with a variety of internationally available locks of minimum 30mm backset, or greater. The 44mm wide plates in the 400 ranges are designed for latches and locks with a minimum backset of 55mm, and are revers-ible LH/RH with symmetrical handle designs. All handles have a return spring within the plate for positive handle return. Handles on 32mm and 38mm wide plates are handed, left hand (LH) or right hand (RH).

The inside plates feature a unique semi-concealed fixing. They are fastened by socket set screws on the top and bottom edge of the plate to two mounting collars and screws that hold the outside plate to the door.

When plates with an emergency turn are required to have a coloured indicator function to show the lock status, specify 'i' after the plate number, eg. 32i.

Back plate dimensions: 32mm, 38mm and 44mm wide x 12.5mm high. Plate lengths are detailed in the following drawings. Finishes: Refer to 'Product Finishes', on front page..

32mm-wide Plates

Plate codes to suit: **Tubular Latches**



Plate codes to suit: **AGB, CISA, ISEO, Millton, Protector Series 8500, SAB, Schlage 970, WELKA**, etc mortice locks*

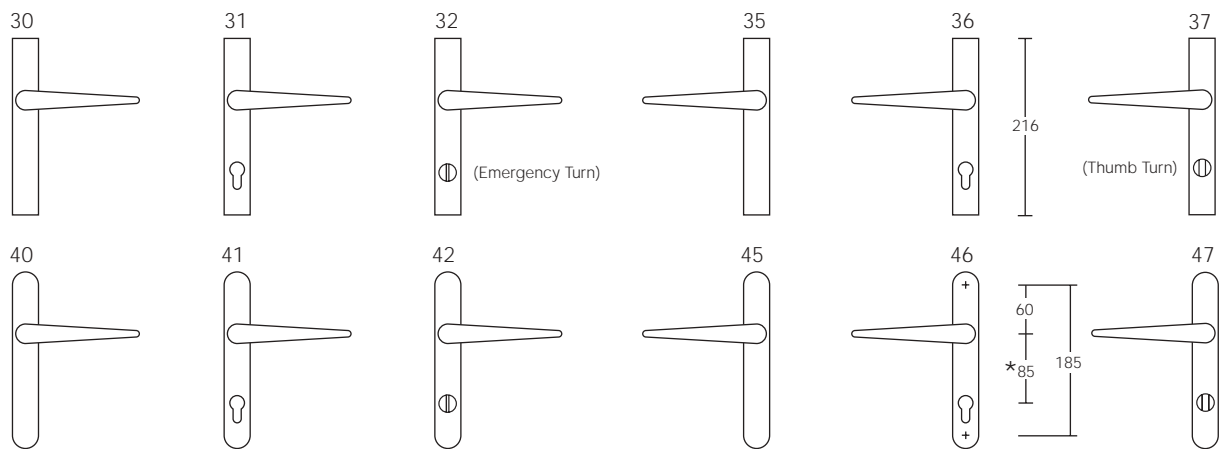
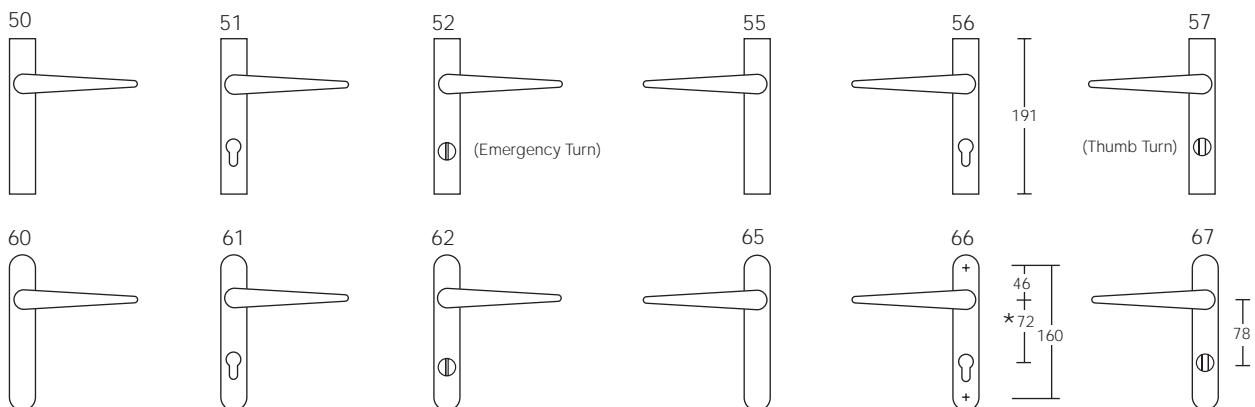


Plate codes to suit: **CES, Dorma, FSB, Häfele, JADO, KFV, NEMEF**, etc mortice locks*



Outside plates – Concealed fixing
Left hand shown, refer to 'Handing of Handles'
for handing specification

Inside plates – Semi concealed fixing

Example and specification of an order for Plates and Lever Handles.

| Handle Style | Handing | Plate Combination | Finish | Quantity | Spindle Size |
|--------------|---------|-------------------|--------|----------|--------------|
| 511 | LH | 31-36 | SCP | 1pr | 8mm |

Plate codes to suit: **Lockwood 5582** locks – 30mm backset, **Lockwood 6582** Locks – 38mm backset; **Legge 995 MF** narrow stile mortice locks

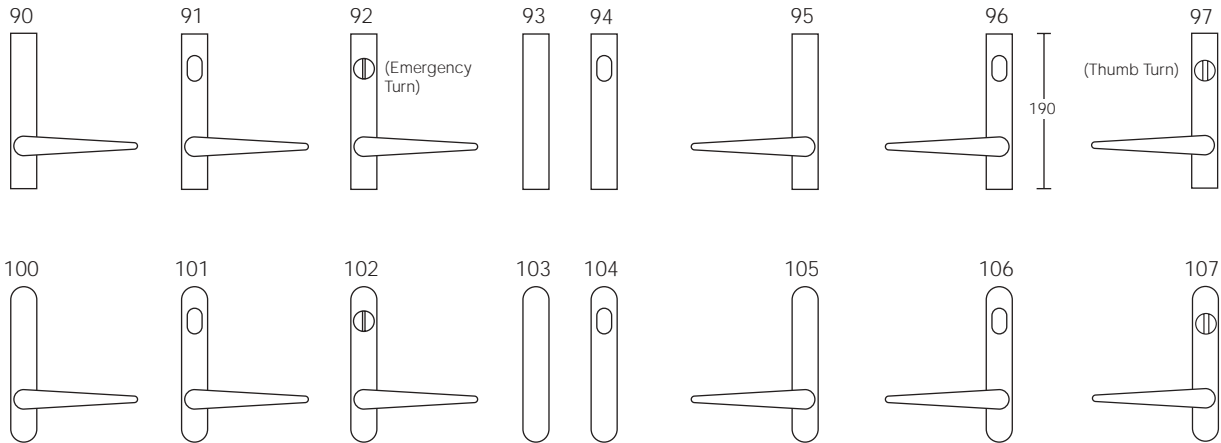


Plate codes to suit: **Legge 990 Series** and **Lockwood 3570 Series** mortice locks – 60mm, 89mm and 127mm backset

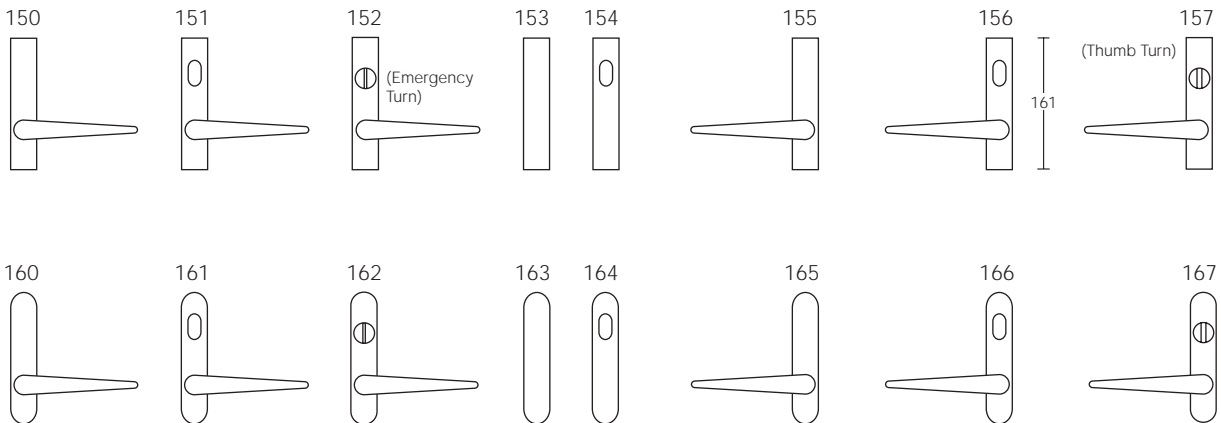


Plate codes to suit: **Legge 8642** and **8762; Yale 3100, Jackson**, etc. mortice locks – 47.5mm*

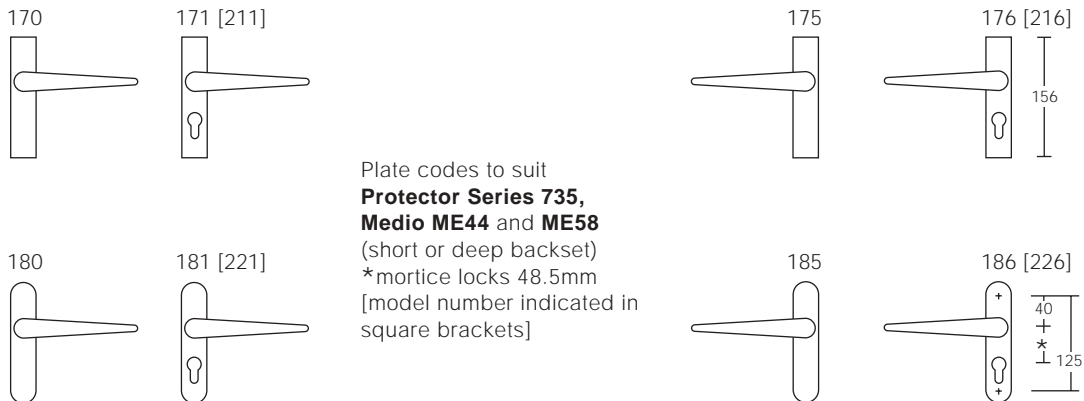
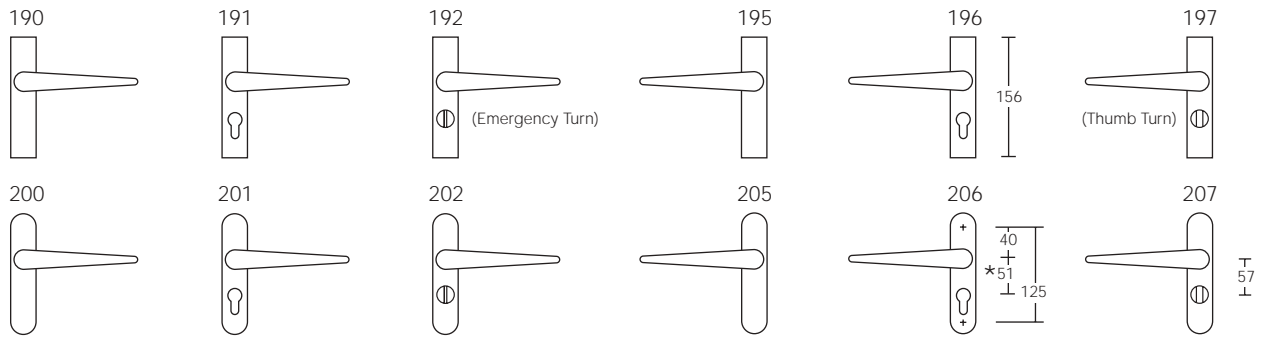


Plate codes to suit
Protector Series 735,
Medio ME44 and ME58
 (short or deep backset)
 *mortice locks 48.5mm
 [model number indicated in
 square brackets]

Outside plates – Concealed fixing
 Left hand shown, refer to 'Handing of Handles'
 for handing specification

Inside plates – Semi concealed fixing

Plate codes to suit: **Imperial G7000, G8020** etc mortice locks*



38mm-wide Plates

Plate codes to suit: **ISEO**, etc mortice locks*

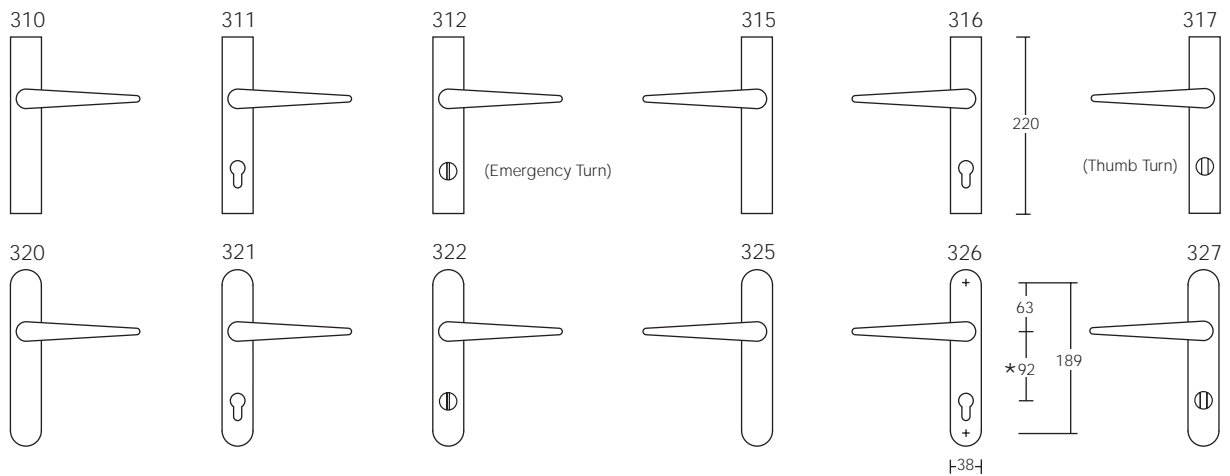
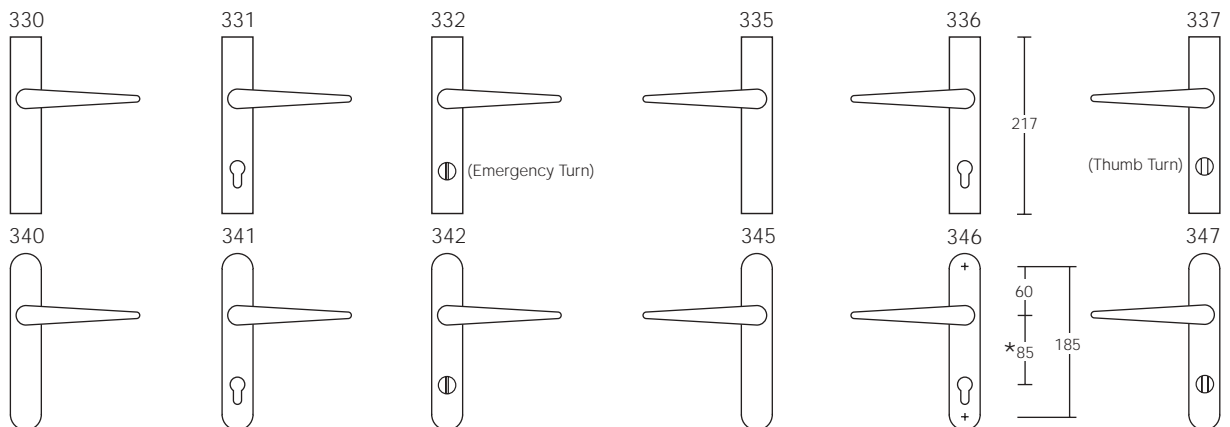


Plate codes to suit: **AGB, CISA, ISEO, Milton, SAB, Protector Series 8500, Schlage 970, WELKA**, etc mortice locks*



Outside plates – Concealed fixing
Left hand shown, refer to 'Handing of Handles'
for handing specification

Inside plates – Semi concealed fixing

44mm-wide Plates

Plate codes to suit: **Legge 990 Series** and **Lockwood 3570 Series** mortice locks – 60mm, 89mm and 127mm backset

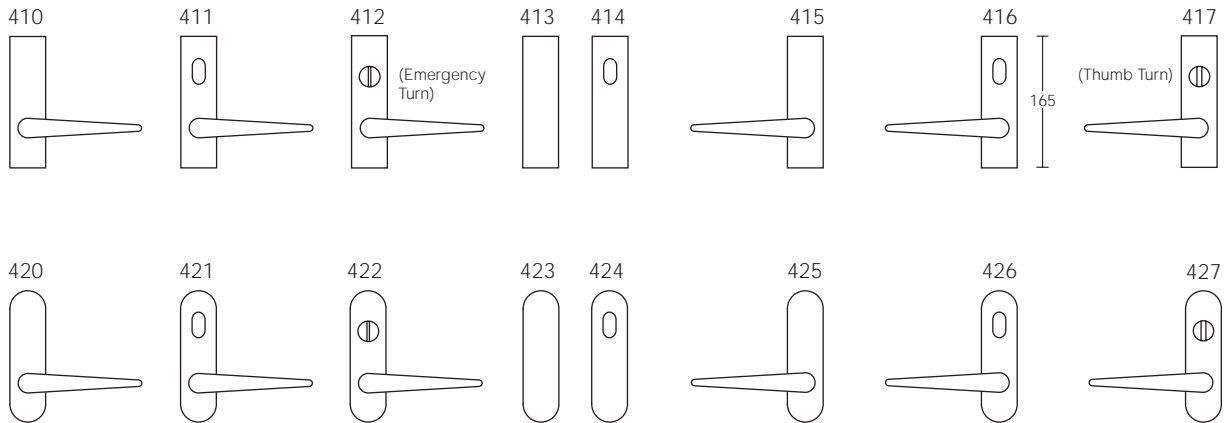


Plate codes to suit: **Legge 8642** and **8762**; **Yale 3100**, **Jackson**, etc mortice locks – 47.5mm*

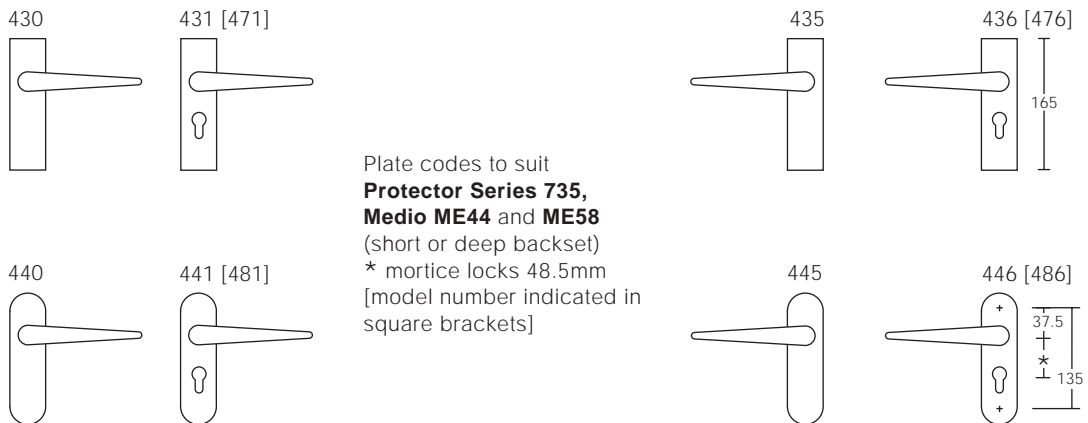
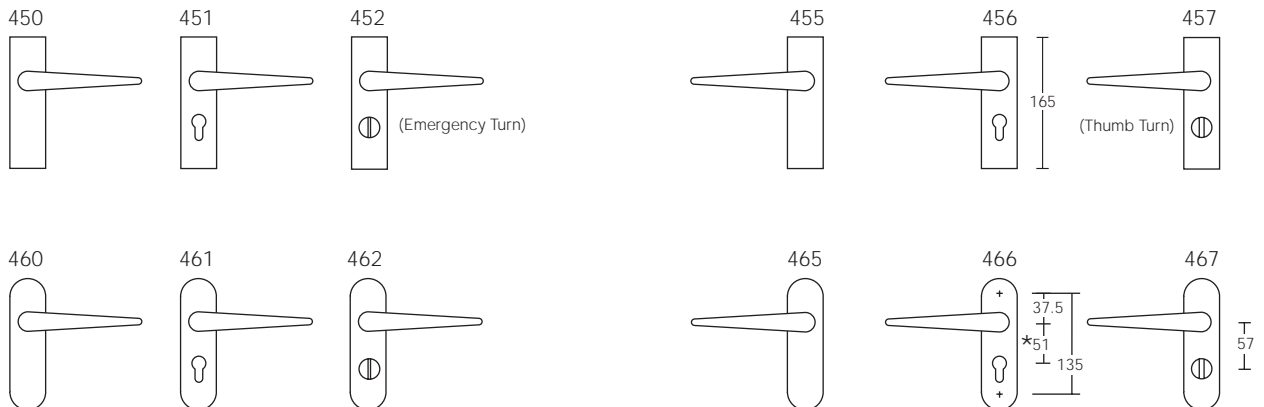


Plate codes to suit: **Imperial G7000**, **G8020** etc mortice locks*



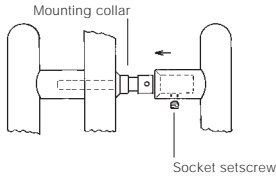
Outside plates – Concealed fixing
Left hand shown, refer to 'Handing of Handles'
for handing specification

Inside plates – Semi concealed fixing

Pull Handles

Mounting Option 1

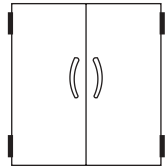
Back to Back (BTB) – Pairs of handles



Example and specification of an order for 2 pair of 522 (Sabre) handles to be mounted back to back on 2 adjacent doors or 1 pair of 601(Cobra) handles on a single door.

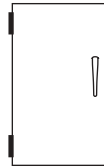
| Handle | Handing (if applicable) | Mounting | Finish | Quantity |
|--------|-------------------------|----------|--------|----------|
| A 522 | RH | BTB | SCP | 1 pair |
| A 522 | LH | BTB | SCP | 1 pair |
| B 601 | - | BTB | COP | 1 pair |

Example A



Right hand handle* Left hand handle*

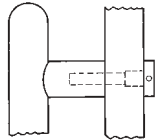
Example B



* Note: This is a left hand handle because it is on the left side of the door leaf, when viewed from the "outside" or concealed fixed side. Refer to *chant™ technical* "Handing of Handles".

Mounting Option 2

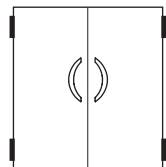
Back Fixed (BF) – One pair of handles on two adjacent doors or a single handle on one door.



Example and specification of an order for 1 pair of 562 (Luna) handles or 1 only 541 (Arc) handle.

| Handle | Mounting | Fastening Option | Finish | Quantity |
|--------|----------|------------------|--------|----------|
| C 562 | BF | FS | PBZ | 1 pair |
| D 541 | BF | DS | SBZA | 1 only |

Example C



Example D

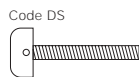


Fastening options for back fixed handles

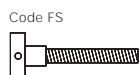
Countersunk screw – M6 slotted screw x 50mm max.length.



Dome Screw – For glass or wooden doors M6 x 75mm standard length supplied, OR specify door thickness.



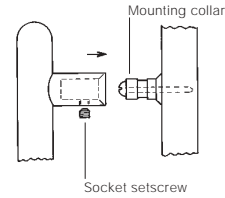
Flat Screw – For aluminium or wooden doors M6 x 75mm standard length supplied, OR specify door thickness.



Mounting Option 3

Surface Fixed (SF) – One pair of handles on two adjacent doors or a single handle on one door.

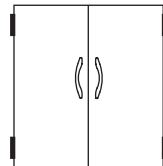
Wooden Doors only. Mounting collars screwed to the door with 10g x 50mm (2") stainless steel screws. Handle fixed to collars with socket setscrews.



Example and specification of an order for 1 pair of 502 (Bow) handles or 1 only 602 (Cobra) handle.

| Handle | Handing (if applicable) | Mounting | Finish | Quantity |
|--------|-------------------------|----------|--------|----------|
| E 502 | - | SF | SCP | 1 pair |
| F 602 | - | SF | PCP | 1 only |

Example E



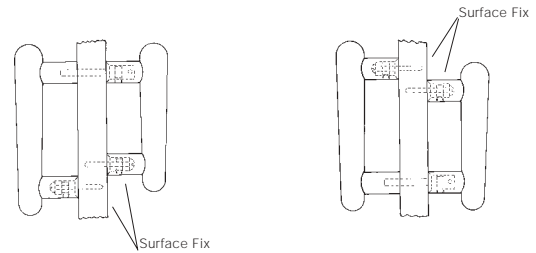
Example F



Mounting Option 4

Combination Handles (Pairs of dissimilar handles)

Used in situations where handles are necessary on both sides of a door, and a change in size is required from one side to the other. Example: Large handle on the outside of a front door with a smaller handle on the inside for the entry foyer.



Top to Top, specify - TT

Bottom to Bottom, specify - BB

Note: The options of 'Top to Top' or 'Bottom to Bottom' should be considered to obtain the preferred 'operating height' of both handles, and their position in relation to the lock.

Example and specification of an order for combination handles.

| Handle Combination | Handing (if applicable) | Mounting | Finish | Quantity |
|--------------------|-------------------------|----------|--------|----------|
| 522/524 | LH | TT | SCP | 1 pair |

Options for Combination Handles

1. Larger handle on outside of door, smaller handle on inside of door eg. 522/524.

2. Both handles need to be from the same suite eg. Sabre.