

comma

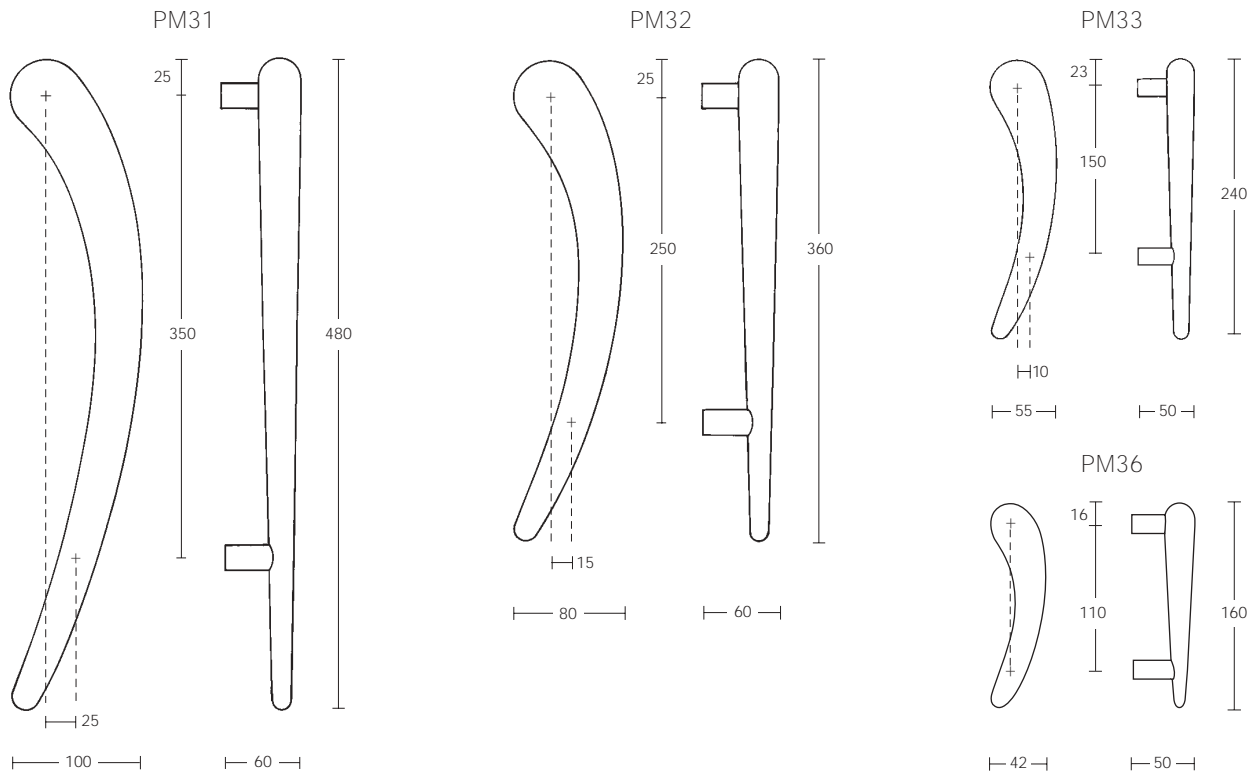


PM34

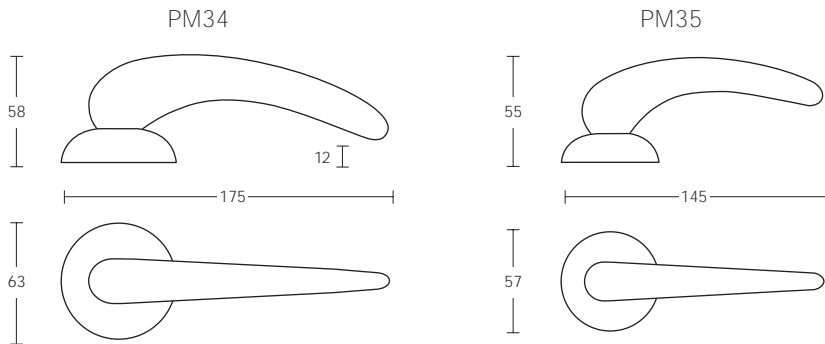
PM37

PM32

## Pull Handles



## Lever Handle/Fixed Handle



Left hand handles shown.  
Pull handles are handed.  
Lever handles are not handed  
and are reversible.

For technical details including  
finishes refer to pages 19-23.

*All dimensions are in mm.*

## Cabinet Handles

