

nile



PM25

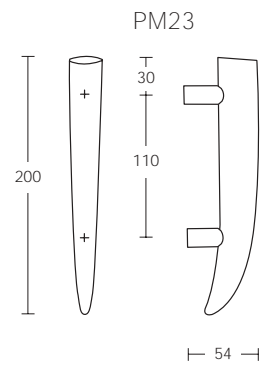
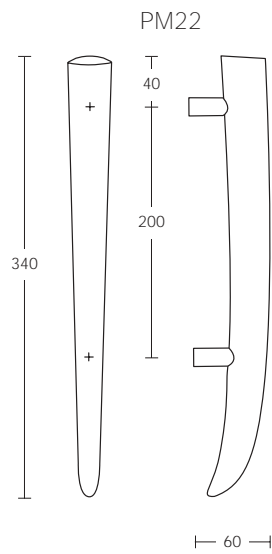
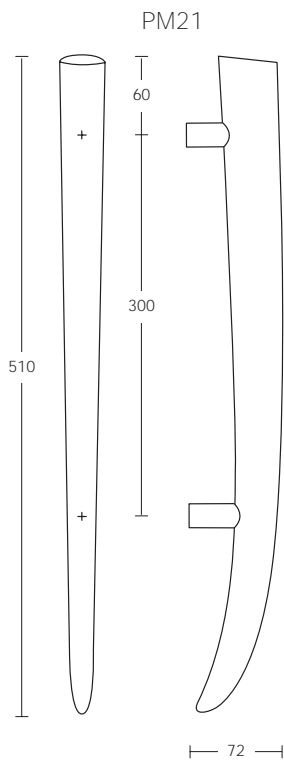


PM29



PM22

Pull Handles

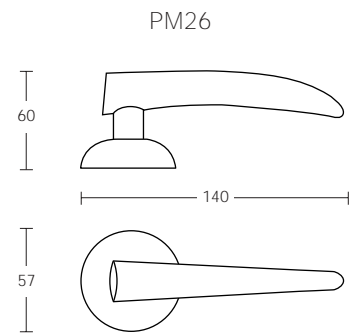
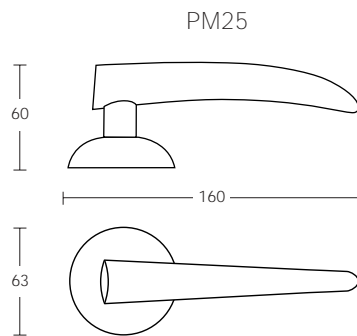
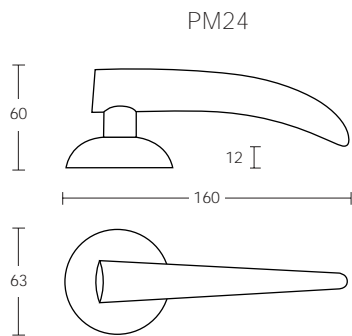


Non handed handles.
Lever handles are reversible.

For technical details including finishes refer to pages 19–23.

All dimensions are in mm.

Lever Handle/Fixed Handle



Cabinet Handle

